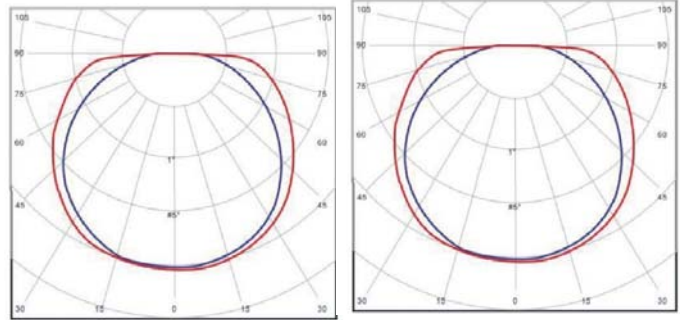
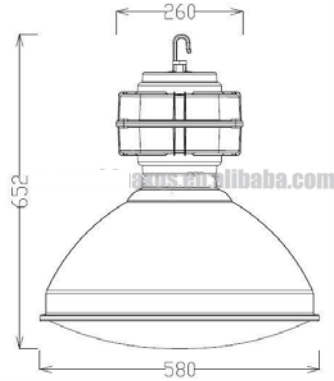


MaxSave

Induction Lamp MAX-CK-211

Distribution curve flux



Fixture Sizes (Unit:mm)

Features

- 1.Gear box:Streamline Alu.alloy profile with high pressure die-cast Alu.side covers.
- 2.High purity anodic oxidation Alu.reflector (with wide or narrow beam specific design for induction lamp) with tempered glass (PC cover)

Specifications

Model	Power (W)	Voltage (V)	Power factor	Environ Temp	CCT (K)	Replace MH Lamp
XP-CK-211	120	100~300	≥0.96	-25°C to +50°C	5000K	175W
XP-CK-211	150	100~300	≥0.96	-25°C to +50°C	5000K	250W
XP-CK-211	200	100~300	≥0.96	-25°C to +50°C	5000K	400W
XP-CK-211	250	100~300	≥0.96	-25°C to +50°C	5000K	600W
XP-CK-211	300	100~300	≥0.96	-25°C to +50°C	5000K	600W

* Note: The CCT can available range is 2700K~6500K .

