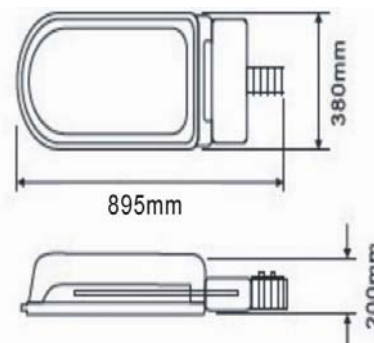


# MaxSave Street Light MAX-LD-306



| Watt | Rectangular-Bulb Dimension WxDxH(mm) | Luminous Flux (LM) | Luminous Efficiency Lm/W | Color Temperarute (K)            |
|------|--------------------------------------|--------------------|--------------------------|----------------------------------|
| 80W  | 300x145x85                           | 6,400              | 75-80                    | 2700K<br>4100K<br>5000K<br>6400K |
| 100W | 300x145x85                           | 8,000              | 75-80                    |                                  |
| 120W | 370x145x85                           | 9,600              | 80-85                    |                                  |
| 150W | 400x145x85                           | 12,750             | 80-85                    |                                  |
| 200W | 450x150x90                           | 17,000             | 80-85                    |                                  |

|                   |  |
|-------------------|--|
| Category          | Induction Street Light   |
| Power             | 80W-200W   |
| Light Source      | Rectangular Induction Lamp   |
| Lifespan          | 60,000-100,000 hours   |
| High Power Factor | 0.98   |
| Working Voltage   | AC 100V-300V   |
| Working Temp.     | -25°C to +50°C   |
| Material          | <ol style="list-style-type: none"> <li>1.The fixture body is made of high pressure die-casting Alu</li> <li>2.High-intensity, high temperature resistant cambered tempered glass</li> <li>3.Once shaping high-purity aluminum reflector provides optimum light distribution</li> <li>4.Electrostatic spray surface treatment technology</li> <li>5.Match rectangular induction lamp with its excellent Color Rendering Index and light efficiency, long life span, no flicker and energy saving, wide range of color temperature and soft light ,stable light output.</li> </ol> |
| Applications      | Roads, streets, highways,viaducts,bridges and other lighting areas   |